


52104490	<b>DATA SHEET</b>	
Valid from: 21.10.2022	<b>SKINDICHT® MA-PG/M</b>	

The SKINDICHT® MA-PG/M is a reducer from an outer PG-thread to an inner metric thread.



### Components

	<b>Brass</b>	<b>brass lead-free</b>
Material	brass, nickel-plated	brass lead-free, nickel-plated


### Technical features:

External thread	PG7 up to PG36 acc. to DIN 40430
Internal thread	M12x1.5 up to M40x1.5 acc. to EN 60423
Design	Form A Knurl Form B Smooth
Temperature range	-60°C up to +200°C

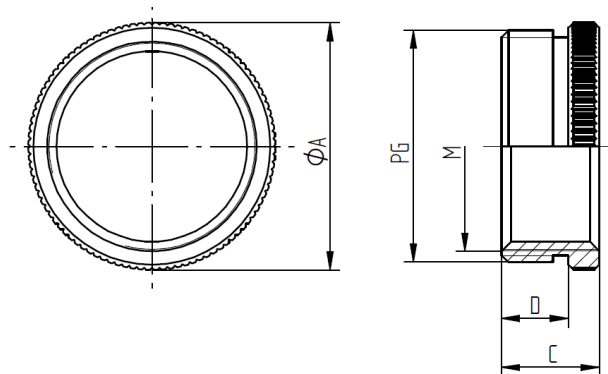
### Norm references:



Creator: M. Wegerer PDP Released: DAMU1/PDP	Document: DB52104490EN Version: 03	Page 1 of 2
--	---------------------------------------	-------------

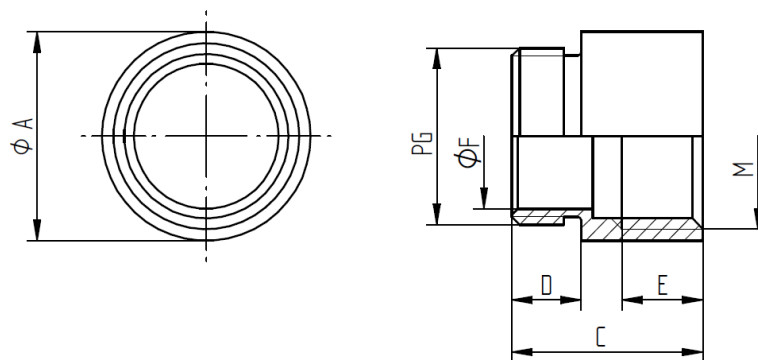
52104490	<b>DATA SHEET</b>	
Valid from: 21.10.2022	<b>SKINDICHT® MA-PG/M</b>	

**SKINDICHT® MA-PG/M Form A**



External thread PG	Internal thread M	Diameter $\phi A$ mm	Length C mm	Thread length D mm	Part No. brass	Part No. brass lead-free
PG 11	M16x1.5	20	8,5	6	52104492	52104492LF
PG 16	M20x1.5	24	9,5	6,5	52104495	52104495LF
PG 21	M20x1.5	30	10	7	52104497	-
PG 21	M25x1.5	30	10	7	52104498	-
PG 29	M25x1.5	39	11,5	8	52104500	-
PG 29	M32x1.5	39	11,5	8	52104501	-
PG 36	M40x1.5	50	12,5	9	52104503	-

**SKINDICHT® MA-PG/M Form B**



External thread PG	Internal thread M	Diameter $\phi A$ mm	Length C mm	Thread length D mm	Thread length E mm	Diameter $\phi F$ mm	Part No. brass	Part No. brass lead-free
PG 7	M12x1,5	14	15	5	6	10	52104490	52104490LF
PG 9	M16x1,5	18	16,5	6	7	12,5	52104491	52104491LF
PG 11	M20x1,5	22	18,5	6	8,5	15	52104493	52104493LF
PG 13,5	M20x1,5	22	19	6,5	8,5	17	52104494	52104494LF
PG 16	M25x1,5	27	21	6,5	8,5	18,5	52104496	52104496LF
PG 21	M32x1,5	34	23	7	10	24	52104499	-
PG 29	M40x1,5	42	25,5	8	11	32	52104502	-

For more information please see our current catalogue. Please do not hesitate to contact our laboratory if there are any questions regarding resistance against aggressive agents and special oil.

Creator: M. Wegerer PDP Released: DAMU1/PDP	Document: DB52104490EN Version: 03	Page 2 of 2
--	---------------------------------------	-------------