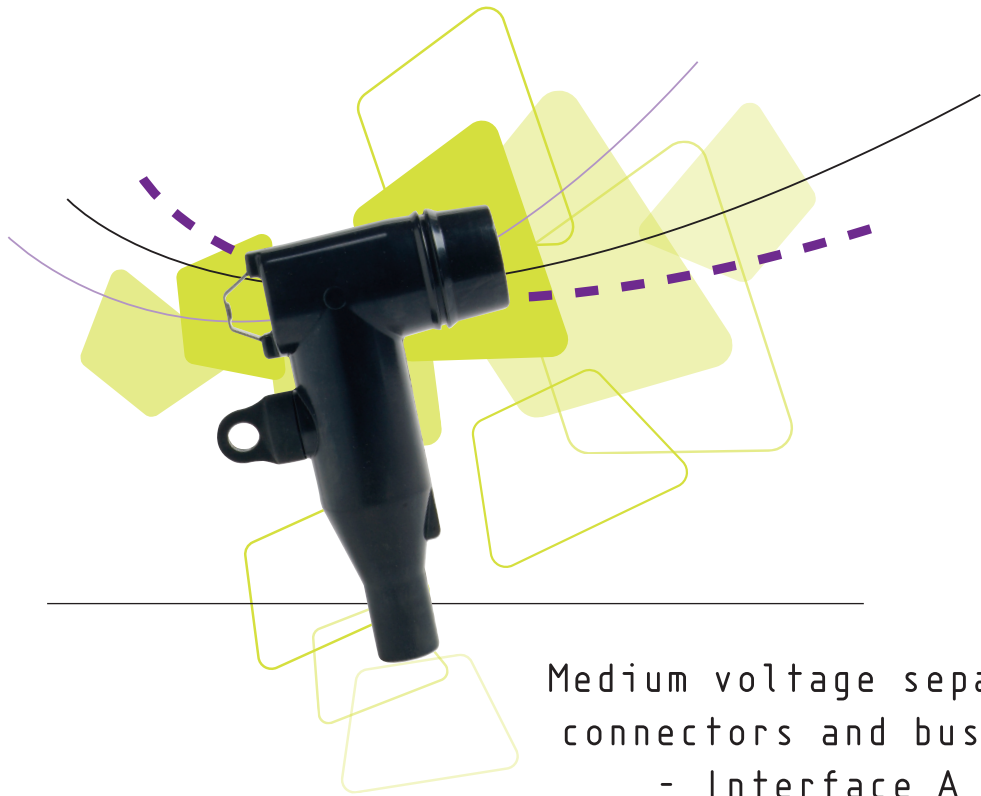


Euromold

a Nexans company



Medium voltage separable
connectors and bushings
- Interface A -

Catalogue 2013

Nexans Network Solutions Div. Euromold COMPANY PRESENTATION



EUROMOLD

Euromold is the leading European specialised designer, manufacturer and distributor of prefabricated cable accessories for medium voltage energy distribution. Euromold provides a complete range of accessories for underground cables: premoulded EPDM rubber connectors for cables and epoxy bushings for transformers and switchgear, as well as a large range of cold-shrinkable terminations and joints from 12 to 42 kV. Euromold is also the manufacturer of electrical components for the high voltage accessories of the Nexans group.

ISO 9001 Certificate

Since 1992, Euromold's commitment to quality is demonstrated by its ISO 9001 certification.

International standards

All our products meet the International standards like CENELEC HD 629.1, CENELEC EN 50180, IEC 60137, IEC 60502-4... or country specifications. Official certificates, CESI, KEMA, ATEX... prove the conformity of our products. Long duration tests of existing or new products are continuously performed in our test fields.

Laboratory accreditation

Since June 2000, Euromold's independent ELAB laboratory obtained the BELAC accreditation no.144-TEST conform with the European standards for laboratories ISO 17025 for electrical testing of low and medium voltage cable accessories according to the international standards EN 50393, IEC 60502-4, IEC 61442 and HD 629.

While every care is taken to ensure that the information contained in this publication is correct, no legal responsibility can be accepted for any inaccuracy. Nexans Network Solutions N.V. - Div. Euromold reserves the right to alter or modify the characteristics of its products described in this catalogue as standards and technology evolve.

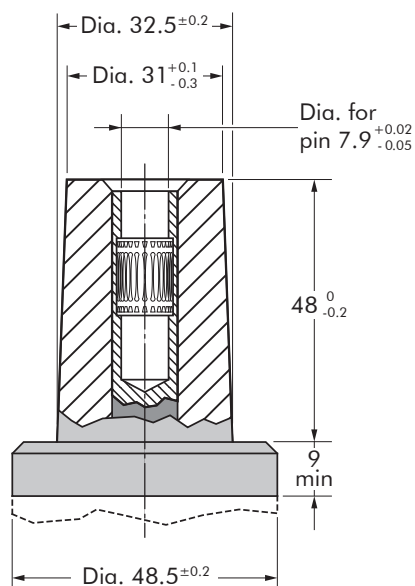
SEPARABLE CONNECTORS AND BUSHINGS INTERFACE A

Table of contents

- 158LR - elbow connector
- 152SR - straight connector
- 151SP - straight plug
- 156SA - surge arrester
- 180AR-1 /-2 /-3 and 180AR-1-G /-3-G - equipment bushings
- 250SFR-P - equipment bushing
- 180A-24P-O - in-air bushing
- PITO-E - plug-in termination
- Accessories
- Bail restraints

Interface A1

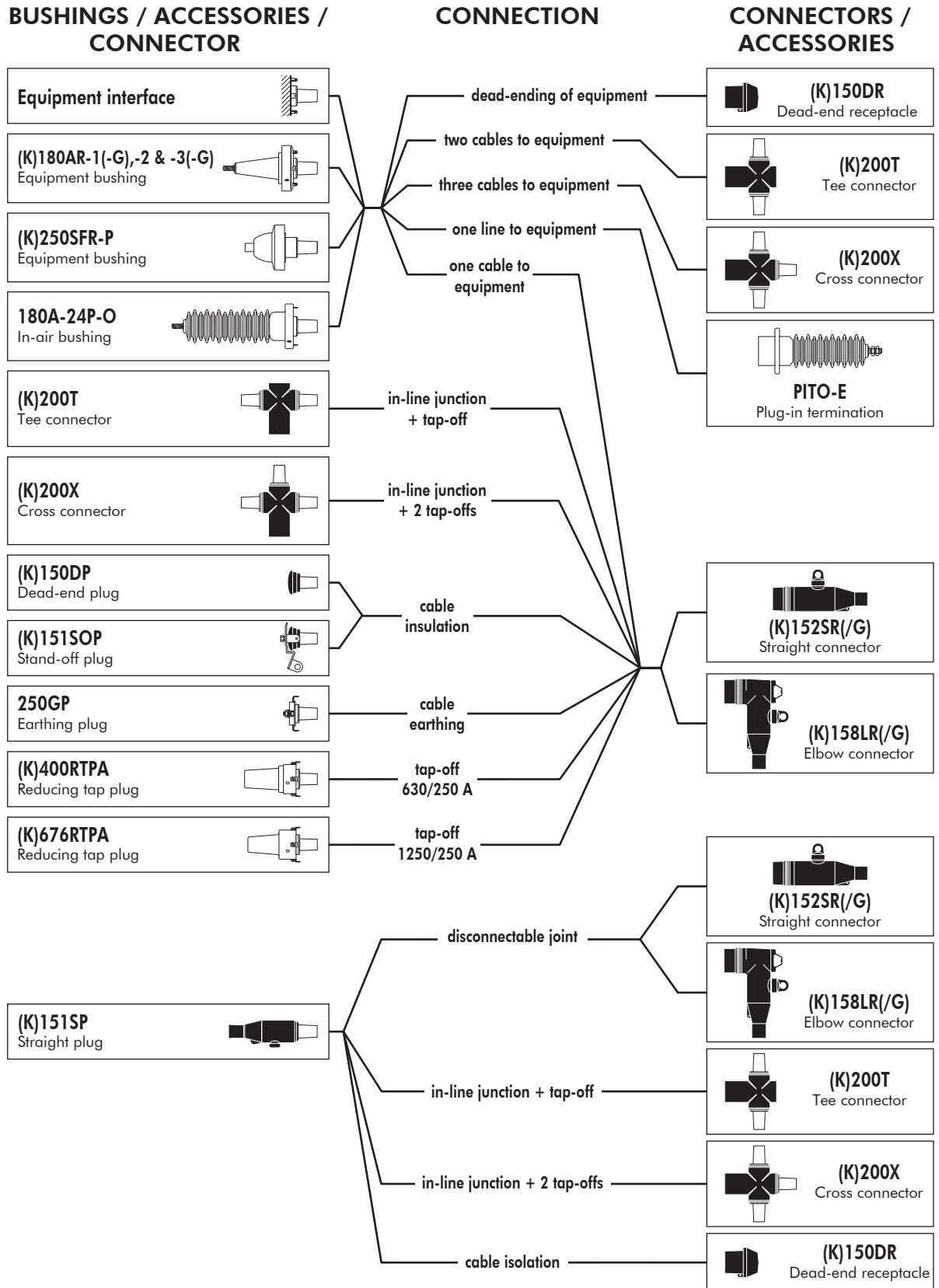
Dimensions according to European CENELEC EN 50180 and 50181 (in mm).



In mm.

03/2013

Connecting possibilities



158LR INTERFACE A ELBOW CONNECTOR

Up to 24 kV - 250 A

6/10 (12) kV
6.35/11 (12) kV
8.7/15 (17.5) kV
12/20 (24) kV
12.7/22 (24) kV

Application

Separable elbow connector designed to connect polymeric insulated cable to equipment (transformers, switchgear, motors...).

Also connects cable to cable, using the appropriate mating part.

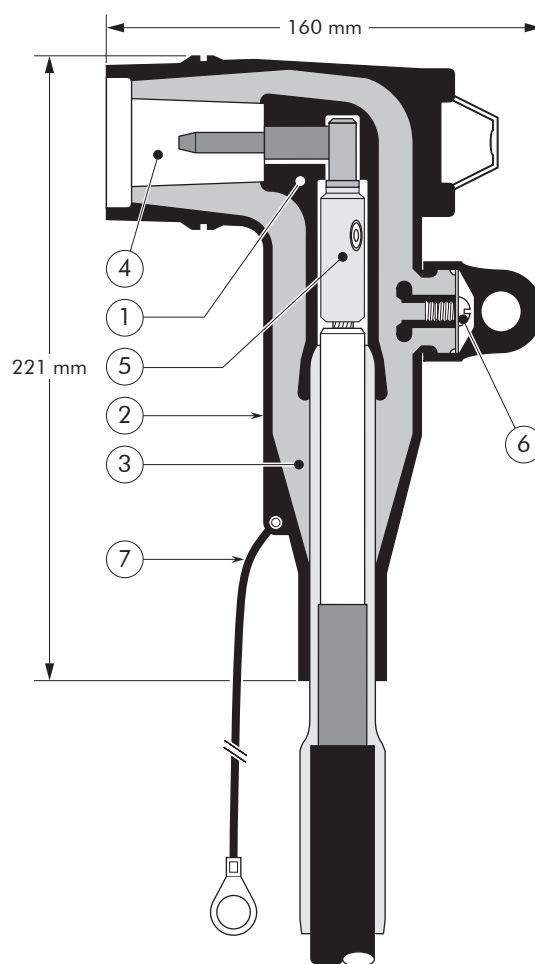
Technical characteristics

- The thick conductive EPDM jacket provides a total safe to touch screen which ensures safety for personnel.
- Each separable connector is tested for AC withstand and partial discharge prior to leaving the factory.

Design

Separable connector comprising:

1. Conductive EPDM insert.
2. Conductive EPDM jacket.
3. Insulating EPDM layer moulded between the insert and the jacket.
4. Type A - 250 A interface as described by CENELEC EN 50180 and 50181.
5. Conductor connector.
6. Voltage test point.
7. Earthing lead (-/G version only).



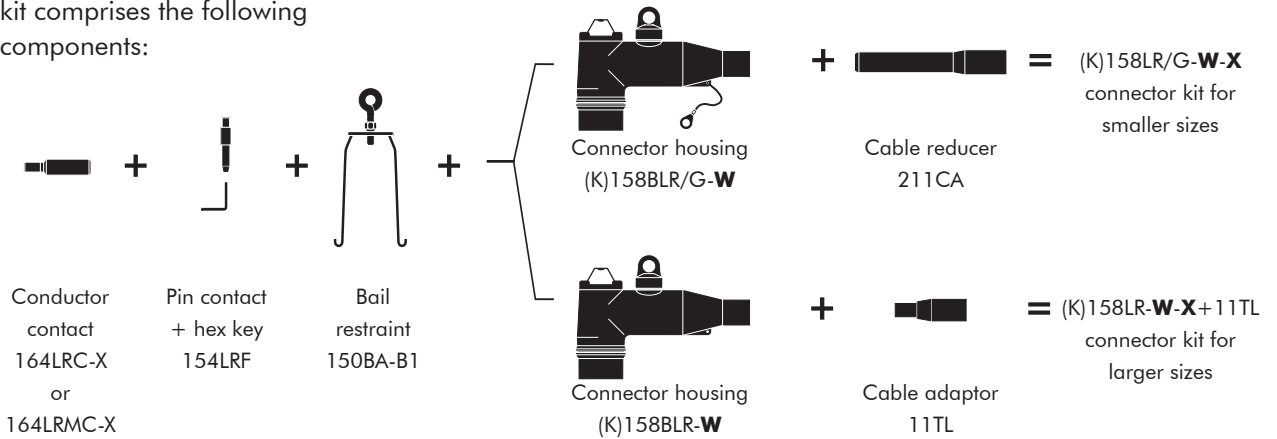
Specifications and standards

The separable connector 158LR meets the requirements of CENELEC HD 629.1.

Separable connector type	Voltage U_m (kV)	Current I_r (A)	Conductor sizes (mm ²)	
			min	max
158LR/G	12	250	16	95
158LR	12	250	70	95
K158LR/G	24	250	16	70
K158LR	24	250	25	95

Kit contents

The complete (K)158LR or (K)158LR/G elbow connector kit comprises the following components:



Ordering instructions

Select the part number which gives the best centring to the cable core insulation diameter and substitute **X** using table X, according to the conductor size and type. Add a 'K' for use up to 24 kV.

Example:

The copper wire screened cable is 24 kV, 50 mm² stranded aluminium with a diameter over core insulation of 20.4 mm. Order a K158LR-FG-50(K)M-12-2+11TL elbow connector kit.

For an option with a bolted conductor contact, specify the ordering part number below.

Table W

Ordering part number	Dia. over core insulation (mm)	
	min	max
158LR/G-11-X	12.6	16.1
158LR/G-13-X	14.6	18.7
158LR-FB-X+11TL	17.5	20.2
158LR-FG-X+11TL	18.4	21.2
158LR-GA-X+11TL	19.7	22.5
158LR-GAB-X+11TL	21.0	23.8
158LR-GH-X+11TL	23.6	26.4

Table X

Conductor sizes (mm ²)	Aluminium		Copper
	DIN hexagonal	Deep indent	DIN hexagonal
16	-	-	16(K)M-11-2
25	25(K)M-12-2	25KM-12-1	25(K)M-11-2
35	35(K)M-12-2	35KM-12-1	35(K)M-11-2
50	50(K)M-12-2	50(K)M-12-1*	50(K)M-11-2
70	70(K)M-12-2	70(K)M-12-1*	70(K)M-11-2
95	95(K)M-12-2*	95(K)M-12-1*	95(K)M-11-2

* The 158LR-FB is not compatible with these conductor contacts.

Ordering part number	Dia. over core insulation (mm)	Conductor sizes (mm ²)
158LR/G-13-25.95-14-5	14.6 - 22.7	35 - 70
158LR-GAS-50.95-14-5+11TL	19.7 - 25.4	25 - 95

For use with copper tape screened cables. Order: Kit MT.	For use with Alupe or C 33-226 cables. Please contact our representative.	For use with other cable types. Please contact our representative.	For adapted bail restraints: see 'Bail restraints and typical applications'.	For outdoor applications. Order: +MWS.	Components can be ordered individually.

152SR INTERFACE A STRAIGHT CONNECTOR

Up to 24 kV - 250 A

6/10 (12) kV
6.35/11 (12) kV
8.7/15 (17.5) kV
12/20 (24) kV
12.7/22 (24) kV

Application

Separable straight connector designed to connect polymeric insulated cable to equipment (transformers, switchgear, motors...).

Also connects cable to cable, using the appropriate mating part.

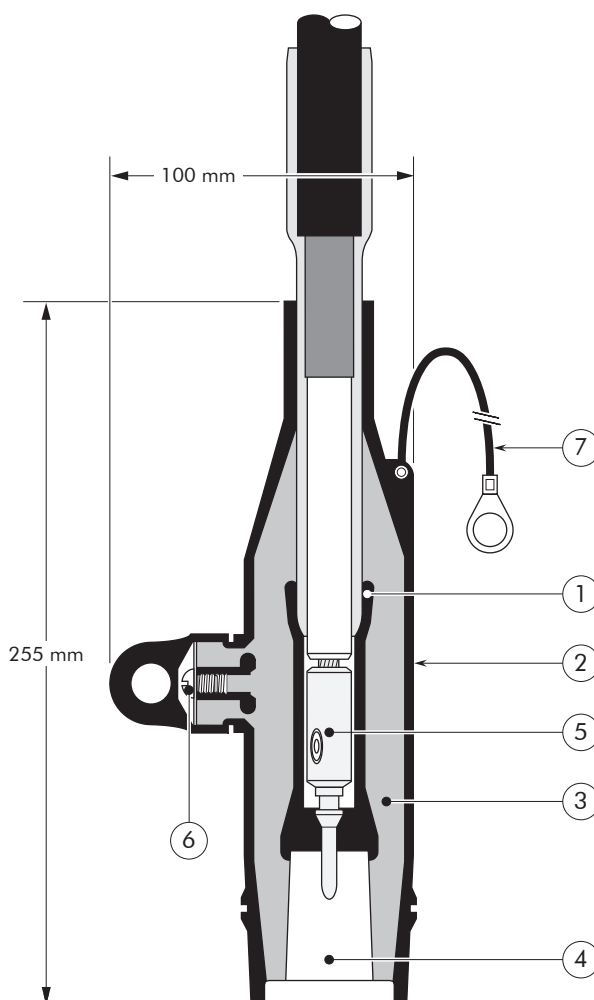
Technical characteristics

- The thick conductive EPDM jacket provides a total safe to touch screen which ensures safety for personnel.
- Each separable connector is tested for AC withstand and partial discharge prior to leaving the factory.

Design

Separable connector comprising:

1. Conductive EPDM insert.
2. Conductive EPDM jacket.
3. Insulating EPDM layer moulded between the insert and the jacket.
4. Type A - 250 A interface as described by CENELEC EN 50180 and 50181.
5. Conductor connector.
6. Voltage test point.
7. Earthing lead (-/G version only).



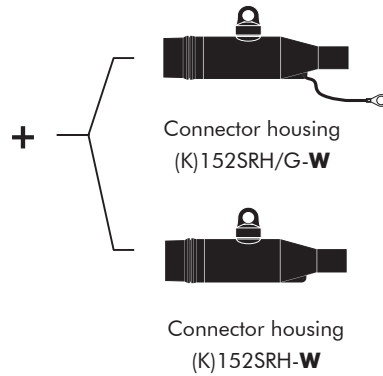
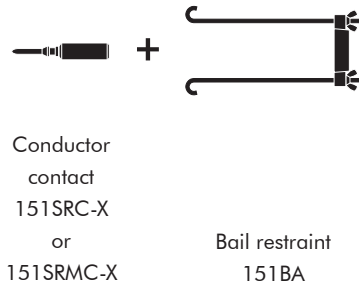
Specifications and standards

The separable connector 152SR meets the requirements of CENELEC HD 629.1.

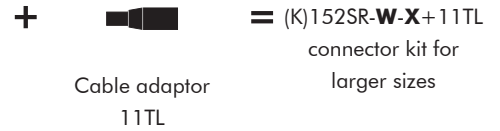
Separable connector type	Voltage U_m (kV)	Current I_r (A)	Conductor sizes (mm ²)	
			min	max
152SR/G	12	250	16	70
152SR	12	250	70	95
K152SR/G	24	250	16	25
K152SR	24	250	25	95

Kit contents

The complete (K)152SR or (K)152SR/G straight connector kit comprises the following components:



The kit also comprises lubricant, wipers, installation instructions and crimp chart.



Ordering instructions

Select the part number which gives the best centring to the cable core insulation diameter and substitute **X** using table X, according to the conductor size and type.
Add a 'K' for use up to 24 kV.

Example:

The copper wire screened cable is 24 kV, 50 mm² stranded aluminium with a diameter over core insulation of 20.4 mm.
Order a K152SR-FG-50(K)M-12-2+11TL straight connector kit.

For an option with a bolted conductor contact, specify the ordering part number below.

Table W

Ordering part number	Dia. over core insulation (mm)	
	min	max
152SR/G-11-X	12.6	16.1
152SR/G-13-X	14.6	18.7
152SR-FB-X+11TL	17.5	20.2
152SR-FG-X+11TL	18.4	21.2
152SR-GA-X+11TL	19.7	22.5
152SR-GAB-X+11TL	21.0	23.8
152SR-GH-X+11TL	23.6	26.4

Table X

Conductor sizes (mm ²)	Aluminium		Copper
	DIN hexagonal	Deep indent	DIN hexagonal
16	-	-	16(K)M-11-2
25	25(K)M-12-2	25KM-12-1	25(K)M-11-2
35	35(K)M-12-2	35KM-12-1	35(K)M-11-2
50	50(K)M-12-2	50(K)M-12-1*	50(K)M-11-2
70	70(K)M-12-2	70(K)M-12-1*	70(K)M-11-2
95	95(K)M-12-2*	95(K)M-12-1*	95(K)M-11-2

* The 152SR-FB is not compatible with these conductor contacts.

Ordering part number	Dia. over core insulation (mm)	Conductor sizes (mm ²)
152SR/G-13-25.95-14-5	14.6 - 22.7	35 - 70
152SR-GAS-50.95-14-5+11TL	19.7 - 25.4	25 - 95

For use with copper tape screened cables. Order: Kit MT.	For use with Alupec or C 33-226 cables. Please contact our representative.	For use with other cable types. Please contact our representative.	For adapted bail restraints: see 'Bail restraints and typical applications'.	For outdoor applications. Order: +MWS.	Components can be ordered individually.

151SP INTERFACE A STRAIGHT PLUG

Up to 24 kV - 200 A

6/10 (12) kV
6.35/11 (12) kV
8.7/15 (17.5) kV
12/20 (24) kV
12.7/22 (24) kV

Application

Separable straight plug designed to connect polymeric insulated cable to cable. Mates with the elbow, straight and branch joint connectors.

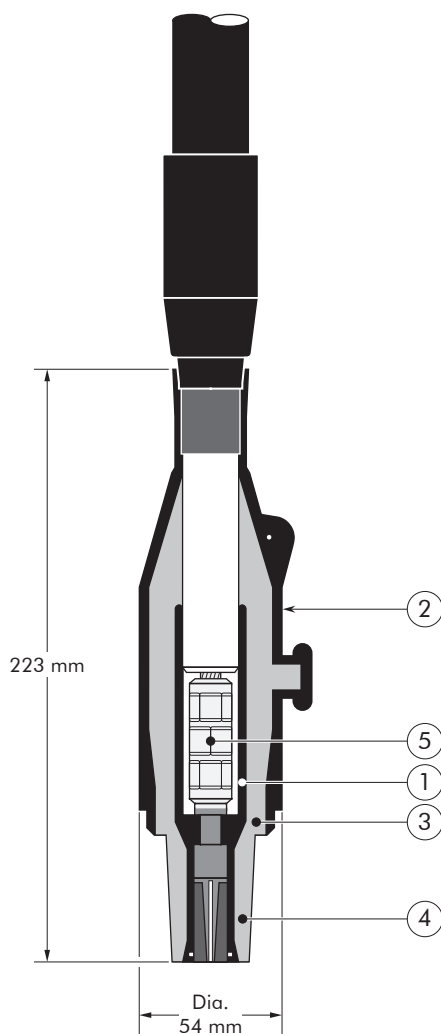
Technical characteristics

- The thick conductive EPDM jacket provides a total safe to touch screen which ensures safety for personnel.
- Each straight plug is tested for AC withstand and partial discharge prior to leaving the factory.

Design

Separable connector comprising:

1. Conductive EPDM insert.
2. Conductive EPDM jacket.
3. Insulating EPDM layer moulded between the insert and the jacket.
4. Type A interface as described by CENELEC EN 50180 and 50181.
5. Conductor connector.

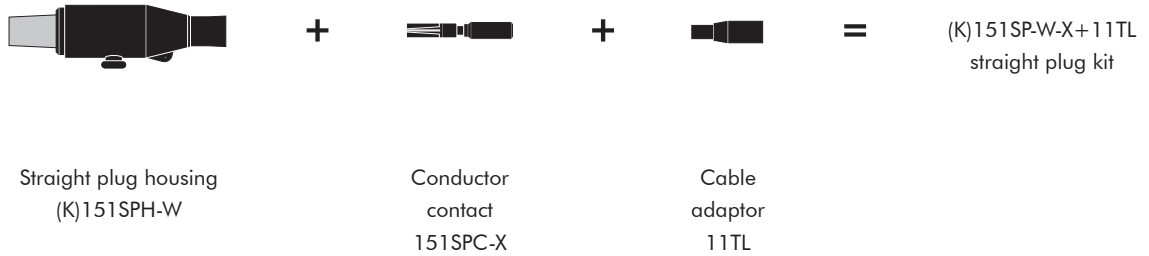


Separable plug type	Voltage U_m (kV)	Current I_r (A)	Conductor sizes (mm ²)	
			min	max
151SP	12	200	16	95
K151SP	24	200	16	95

Kit contents

The complete (K)151SP straight plug kit comprises the following components:

The kit also comprises lubricant, wipers, installation instructions and crimp chart.



Ordering instructions

Select the part number which gives the best centring to the cable core insulation diameter and substitute **X** using table X, according to the conductor size and type. Add a 'K' for use up to 24 kV.

Table W

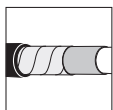
Ordering part number	Dia. over core insulation (mm)	
	min	max
151SP-A- X +11TL-FA/FAB	14.6	18.7
151SP-B- X +11TL-FB/FG	17.2	21.2
151SP-B- X +11TL-GA/GAB	19.7	23.0
151SP-C- X +11TL-GB/GH	22.2	26.4

Example:

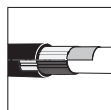
The copper wire screened cable is 12 kV, 50 mm² stranded aluminium with a diameter over core insulation of 16.9 mm. Order a 151SP-A-50(K)M-12-2+11TL-FA/FAB straight plug kit.

Table X

Conductor sizes (mm ²)	Aluminium		Copper
	DIN hexagonal	Deep indent	DIN hexagonal
16	-	-	16(K)M-11-2
25	25(K)M-12-2	25KM-12-1	25(K)M-11-2
35	35(K)M-12-2	35KM-12-1	35(K)M-11-2
50	50(K)M-12-2	50(K)M-12-1	50(K)M-11-2
70	70(K)M-12-2	70(K)M-12-1	70(K)M-11-2
95	95(K)M-12-2	95(K)M-12-1	95(K)M-11-2



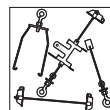
For use with copper tape screened cables. Order: Kit MT.



For use with Alupe or C 33-226 cables. Please contact our representative.



For use with other cable types. Please contact our representative.



For adapted bail restraints: see 'Bail restraints and typical applications'.



For outdoor applications. Order: +MWS.



Components can be ordered individually.

156SA INTERFACE A SURGE ARRESTER

Up to 24 kV

6/10 (12) kV
6.35/11 (12) kV
8.7/15 (17.5) kV
12/20 (24) kV
12.7/22 (24) kV

Application

Surge arrester designed to protect 12 and 24 kV class components, including transformers, equipment, cable and accessories from high voltage surges resulting from lightning or switching.

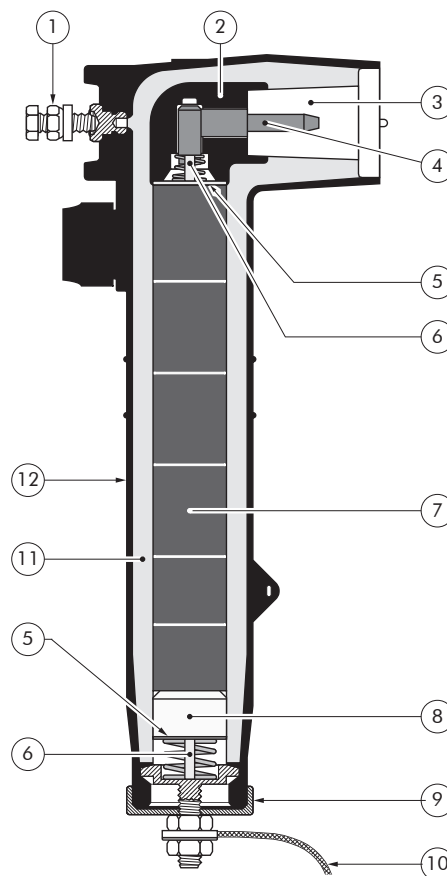
Technical characteristics

- This surge arrester is a metal oxide varistor surge arrester in an elbow configuration.
- Each arrester is tested for AC withstand and partial discharge prior to leaving the factory.

Design

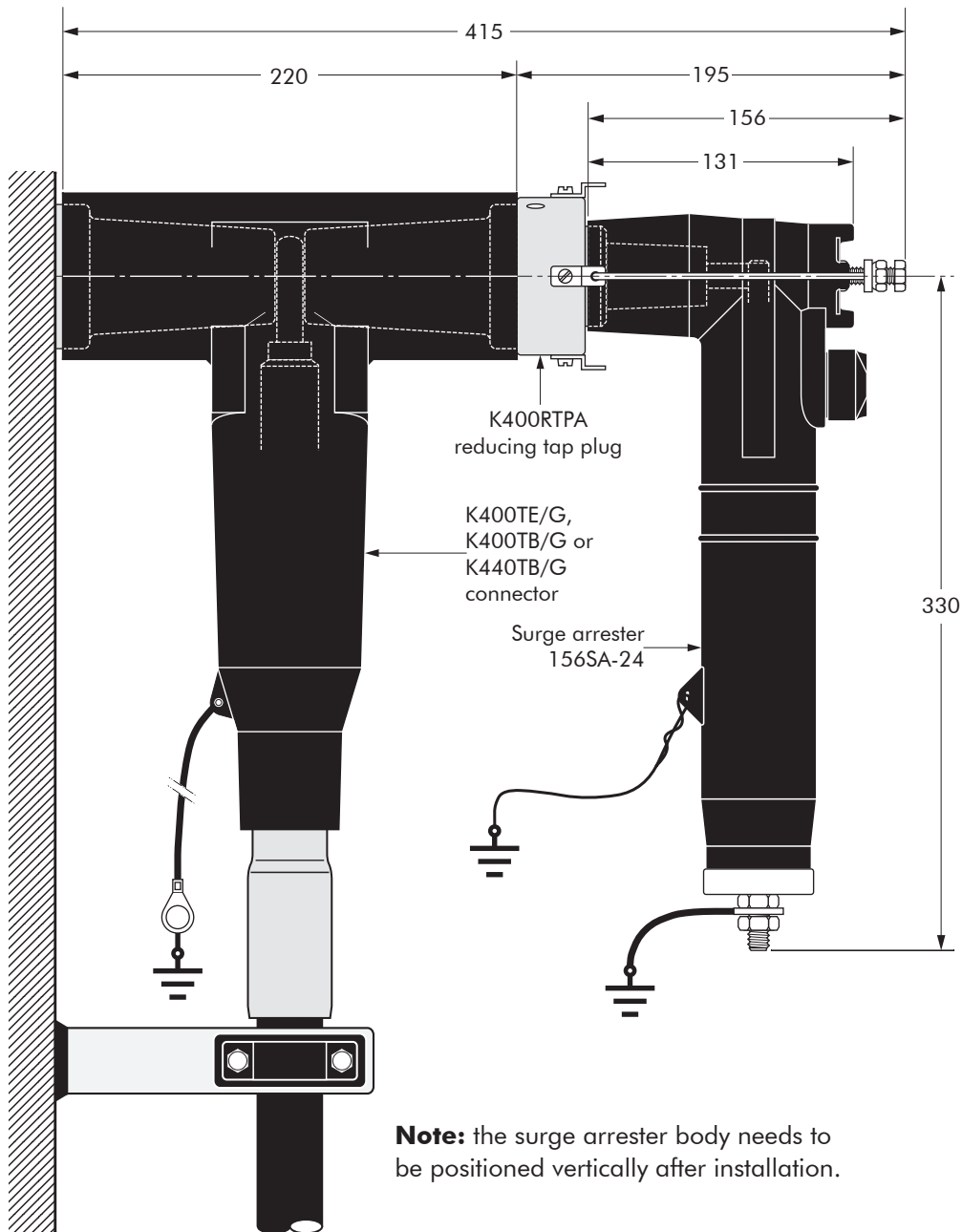
Surge arrester comprising:

1. Bail restraint.
2. Conductive EPDM insert.
3. Type A - 250 A interface as described by CENELEC EN 50180 and 50181.
4. Pin contact.
5. Contact disc.
6. Copper shunt.
7. Metal oxide valve elements.
8. Aluminium spacer.
9. Steel cap.
10. Earth connection.
11. Insulating EPDM layer moulded between the insert and the jacket.
12. Conductive EPDM jacket.



Surge arrester type	Nominal discharge current I_n (kA)	Rated voltage U_r (kV)	Max continuous operating voltage U_c (kV)	Steep current residual voltage @ 5 kA [1/20 μ s] (kV)	Lightning current residual voltage @ 5 kA [8/20 μ s] (kV)	High current impulse withstand (kA)
156SA-12	5	15	12.5	62.5	54.5	40
156SA-15	5	19	15.5	77.0	69.0	40
156SA-18	5	22	18.0	87.0	79.0	40
156SA-21	5	26	21.0	101.5	93.5	40
156SA-24	5	30	24.5	116.5	108.5	40

I Typical application and dimensions



In mm.

I Ordering instructions

To order the surge arrester, specify the surge arrester type, as described on previous page.

Example:

For a maximum continuous operating voltage (r.m.s.) of 21 kV.

Order a 156SA-21 surge arrester.

180AR-1 /180AR-2 /180AR-3 INTERFACE A1 EQUIPMENT BUSHINGS

Up to 24 kV - 250 A

Application

For use in equipment insulated with oil fluid, typically for transformers, switchgear, capacitors...

Specifications and standards

The plug-in type equipment bushings 180AR-... meet the requirements of CENELEC EN 50180 and IEC 60137.

Technical characteristics

Each bushing is tested for AC withstand and partial discharge prior to leaving the factory.

6/10 (12) kV
6.35/11 (12) kV
8.7/15 (17.5) kV
12/20 (24) kV
12.7/22 (24) kV

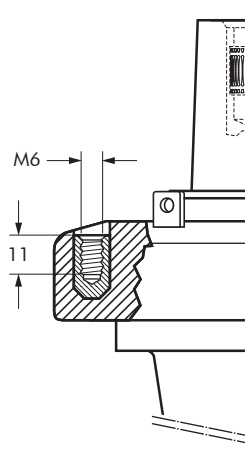
Design

- The equipment bushings are moulded epoxy insulated parts in accordance with CENELEC EN 50180. The 180AR-2 bushing has a length B outside this standard.
- The standard bushings, (K)180AR-1 /-2 /-3, are equipped with 6 tabs for the bail restraint.
- The (K)180AR-1-G and (K)180AR-3-G are equipped with 4 tabs and 2 threaded inserts M6 (-G version).

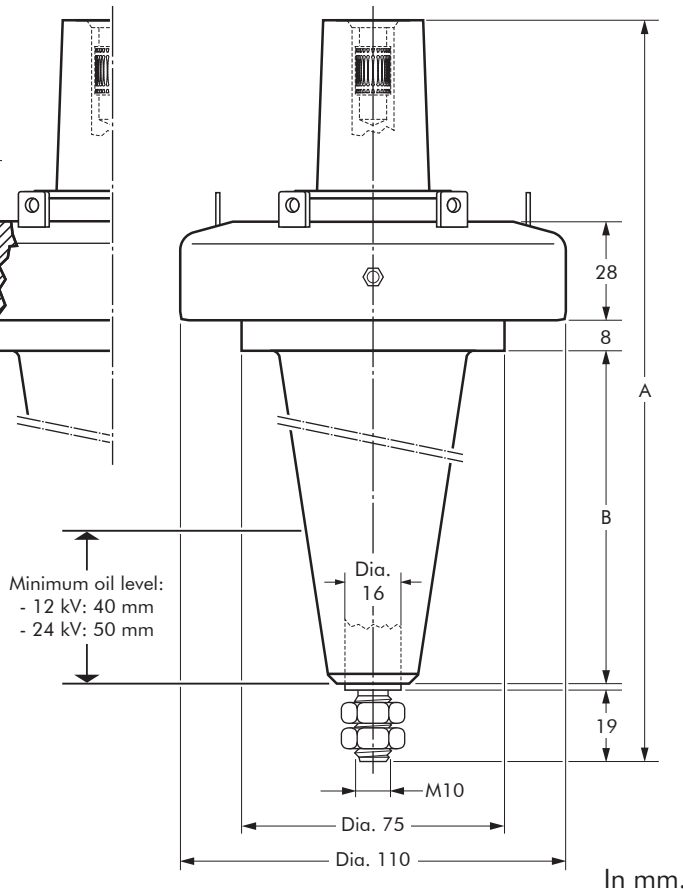
Ordering instructions

To order the equipment bushing, specify the type. The bushings are supplied with an earth jumper (/J) or an earth plate (/GS). This earth connection must be specified when ordering. E.g. K180AR-1/J.

Type 180AR-1-G /-3-G



Type 180AR-1 /-2 /-3

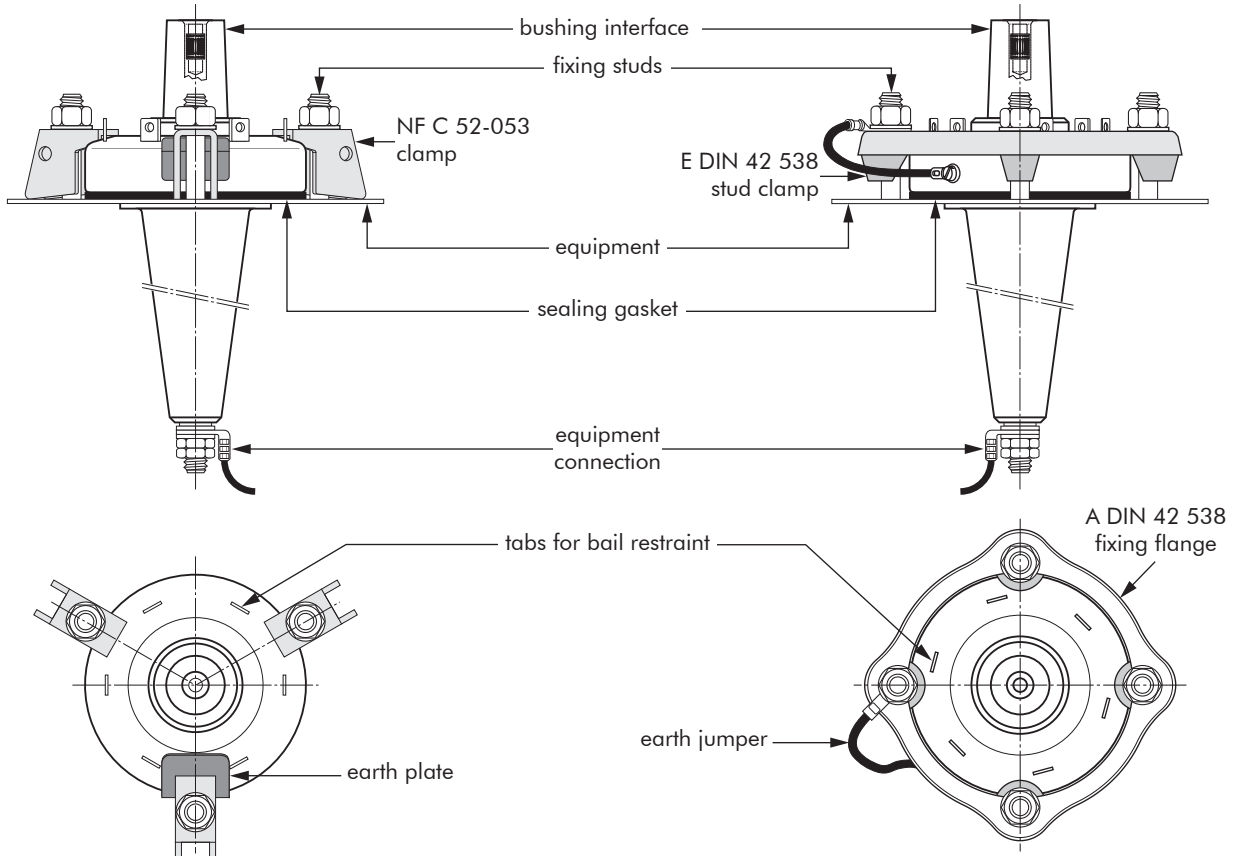


Equipment bushing type	Voltage U_m (kV)	Current I_r (A)	Dimensions (mm)	
			A	B
180AR-1	12	250	222	106
K180AR-1	24	250	222	106
180AR-2	12	250	284	168
K180AR-2	24	250	284	168
180AR-3	12	250	171	55
K180AR-3	24	250	171	55

FIXINGS FOR EQUIPMENT BUSHINGS

- | 180AR-1/GS
- | 180AR-1-G/GS
- | 180AR-2/GS
- | 180AR-3/GS and
- | 180AR-3-G/GS Bushings

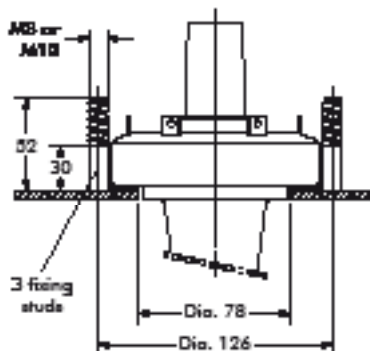
- | 180AR-1/J
- | 180AR-1-G/J
- | 180AR-2/J
- | 180AR-3/J and
- | 180AR-3-G/J Bushings



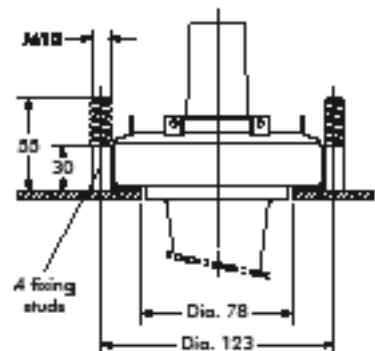
- | **Bushing clamping kit**
- To order the bushing clamping kit, according to NFC 52-053 standards, simply specify KBCNF1-200.
- Contents: - 3 x claw clamp NF
- 1 x sealing gasket.

- | **Bushing clamping kit**
- To order the bushing clamping kit, according to DIN 42 538 standards, simply specify: KBCD-200.
- Contents: - 1 x fixing flange A
- 4 x stud clamp E
- 1 x sealing gasket.

- | **Fixing dimensions standards NF C 52-053**
- French standards.



- | **Fixing dimensions standards DIN 42 538**
- German standards.



In mm.

250SFR-P INTERFACE A1 EQUIPMENT BUSHING

Up to 24 kV - 250 A

Application

For use in equipment insulated with SF₆ gas.

Technical characteristics

Each bushing is tested for AC withstand and partial discharge prior to leaving the factory.

6/10 (12) kV
6.35/11 (12) kV
8.7/15 (17.5) kV
12/20 (24) kV
12.7/22 (24) kV

Design

The equipment bushing is a moulded epoxy insulated part with a connector interface in accordance with CENELEC EN 50180.

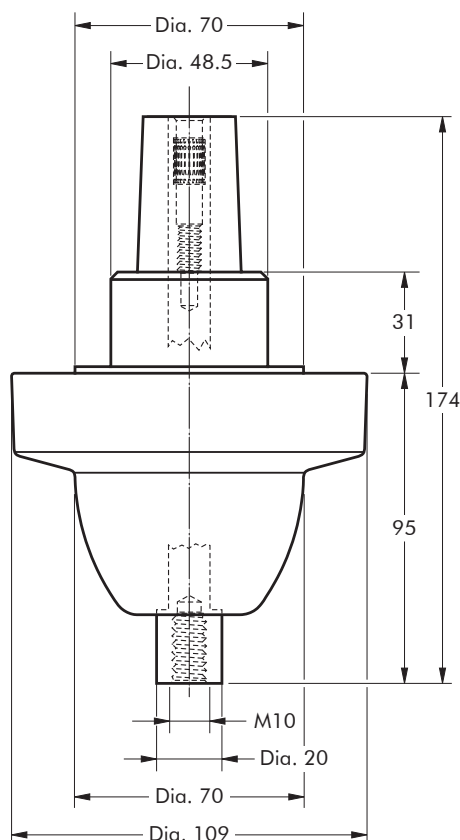
The 250SFR-P bushing has a shank outside this standard, adapted to use in SF₆ gas.

Specifications and standards

The plug-in type equipment bushings 250SFR-P meet the requirements of CENELEC EN 50180 and IEC 60137.

Ordering instructions

To order the equipment bushing, simply specify the type.



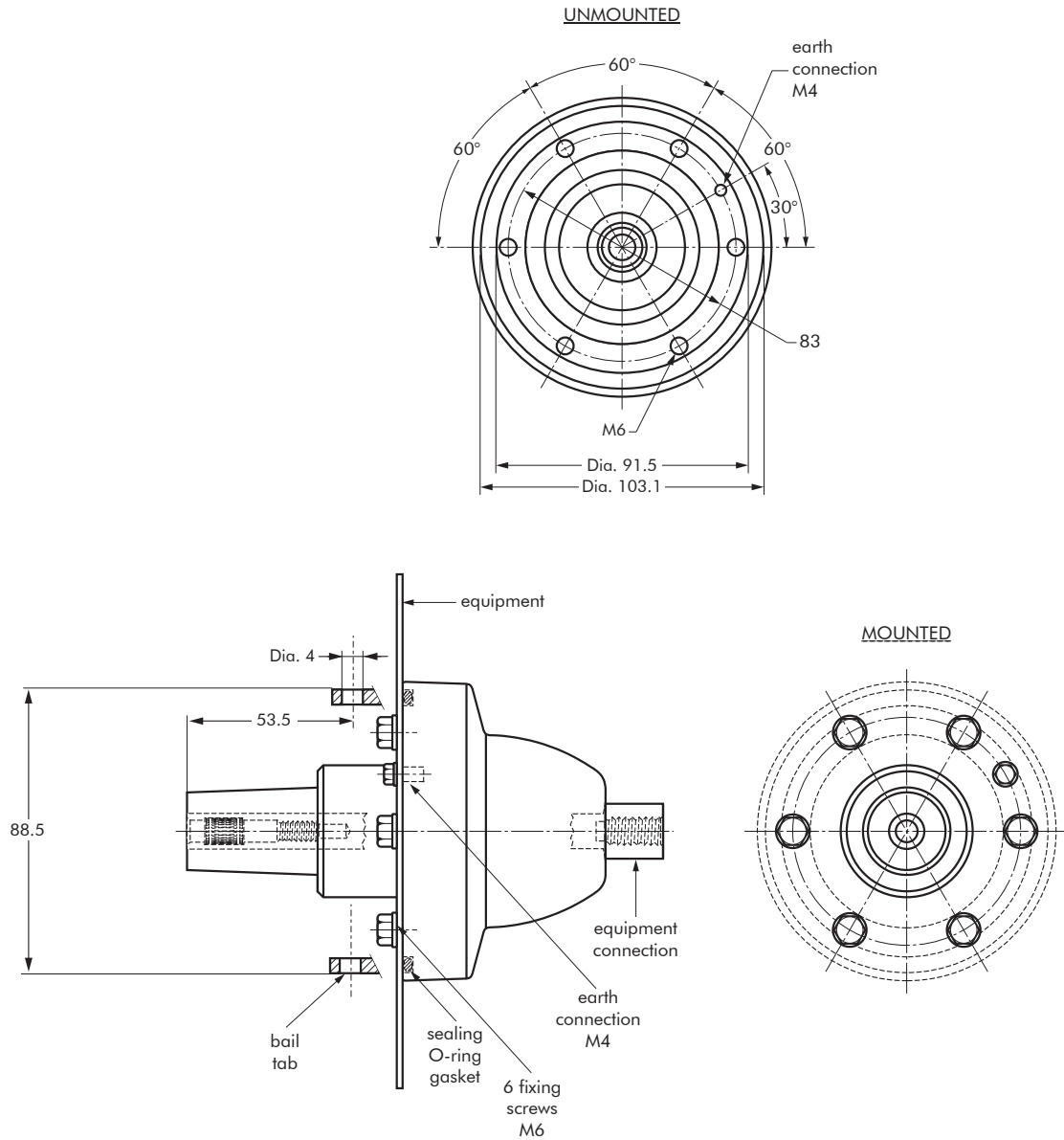
In mm.

Equipment bushing type	Voltage Um (kV)	Current Ir (A)
250SFR-P	12	250
K250SFR-P	24	250

03/2013

FIXINGS FOR EQUIPMENT BUSHINGS

250SFR-P Bushing for gas insulated switchgear



In mm.

180A-24P-O INTERFACE A1 IN-AIR BUSHING

Up to 24 kV - 250 A

6/10 (12) kV
6.35/11 (12) kV
8.7/15 (17.5) kV
12/20 (24) kV
12.7/22 (24) kV

Application

For use in equipment insulated with air, typically for dry type transformers, motors, switchgear, capacitors...

Technical characteristics

Each bushing is tested for AC withstand and partial discharge prior to leaving the factory.

Specifications and standards

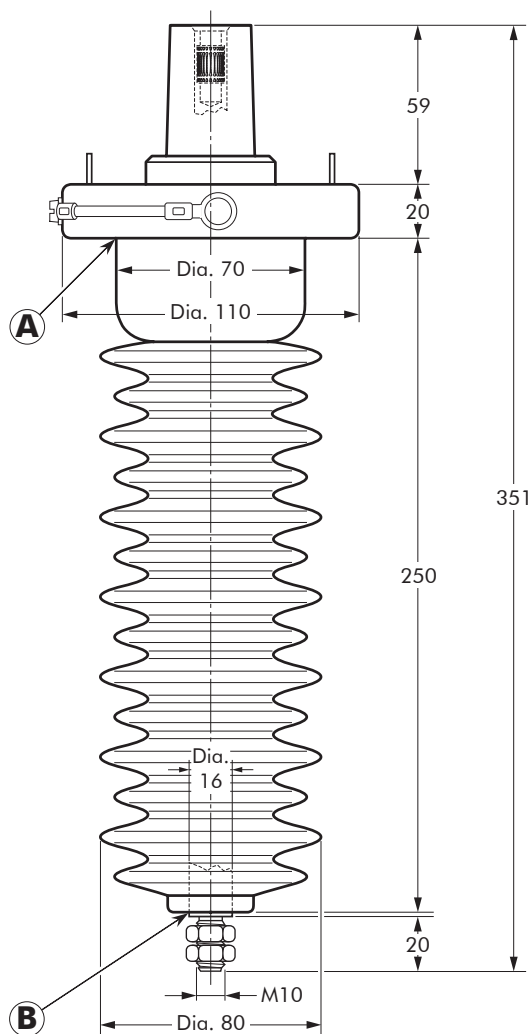
The plug-in type equipment bushings 180A-24P-O are moulded epoxy insulated parts and meet the requirements of CENELEC EN 50181, IEC 60071 and IEC 60137.

Ordering instructions

To order the equipment bushing, specify the type. The bushings are supplied with an earth jumper. To include the ring clamp, add:

- /B, if per British standards
- /D, if per German standards
- /F, if per French standards.

E.g. 180A-24P-O/F.



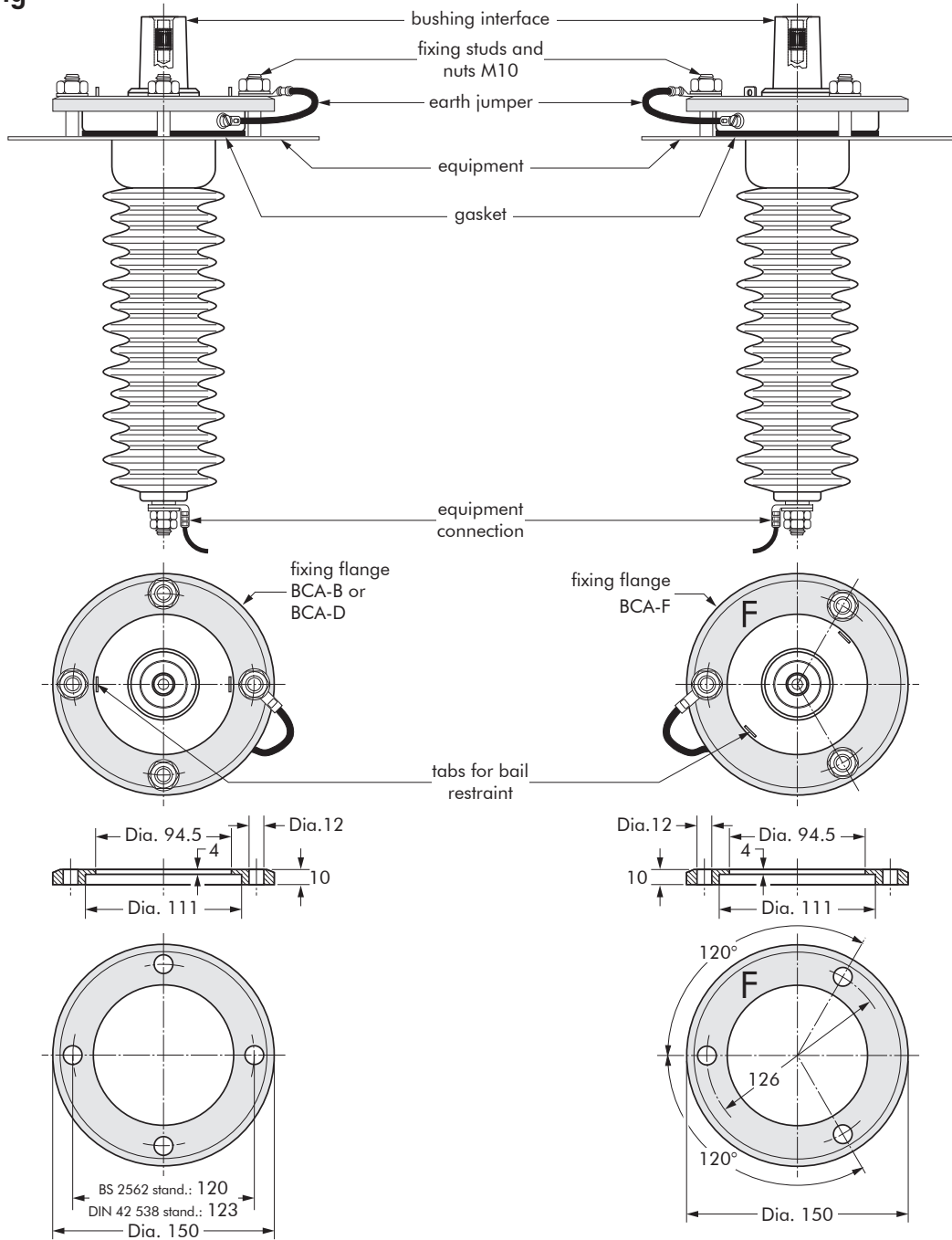
In mm.

Equipment bushing type	Voltage U_m (kV)	Current I_r (A)	Creepage distance A-B (mm)
180A-24P-O	12	250	630
180A-24P-O	24	250	630

03/2013

FIXINGS FOR EQUIPMENT BUSHINGS

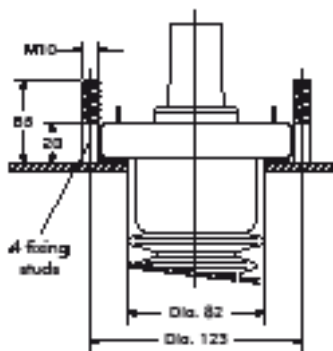
180A-24P-O In-air bushing



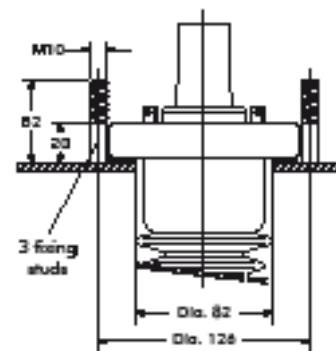
Type BCA-B : BS 2562 British standards
Type BCA-D : DIN 42 538 German standards

Type BCA-F : NFC 52-053 French standards

Fixing dimensions standards DIN 42 538 German standards.



Fixing dimensions standards NF C 52-053 French standards.



In mm.

PITO-E PLUG-IN TERMINATION

Up to 24 kV - 250 A

6/10 (12) kV
6.35/11 (12) kV
8.7/15 (17.5) kV
12/20 (24) kV
12.7/22 (24) kV

Application

- Separable termination designed to connect overhead lines or bus bars to equipment.
- Is suitable for indoor and outdoor use for medium polluted atmosphere.

Technical characteristics

Each plug-in termination is tested for AC withstand prior to leaving the factory.

Design

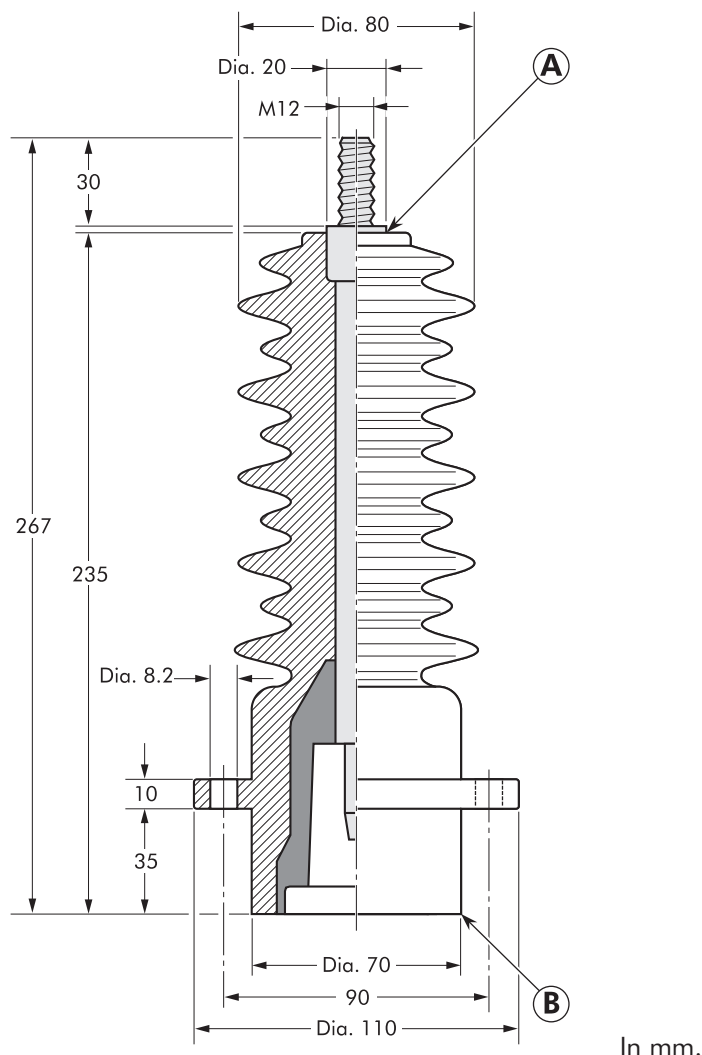
The plug-in termination is a moulded epoxy insulated part. It meets the type A - 250 A interface as described in CENELEC EN 50180 and 50181.

Specifications and standards

The separable termination PITO-E meets the requirements of IEC 60137.

Ordering instructions

To order the plug-in termination for 12 or 24 kV, specify PITO-E. The kit includes the bail restraint and 2 brass nuts.



Plug-in termination type	Voltage U_r (kV)	Current I_r (A)	Creepage distance A-B (mm)
PITO-E	12	250	510
PITO-E	24	250	510

ACCESSORIES INTERFACE A

Application

For use with connectors and bushings with an interface A as described by CENELEC EN 50180 and 50181.

Technical characteristics

All these products, except the earthing plug, are tested for AC withstand and partial discharge prior to leaving the factory.

Up to 24 kV

6/10 (12) kV
6.35/11 (12) kV
8.7/15 (17.5) kV
12/20 (24) kV
12.7/22 (24) kV

150DR Dead-end receptacle

Fits over a bushing with a type A interface to provide 'dead-end' facility.
Renders the assembly watertight.



Ordering instructions

Order
150DR for 12 kV or
K150DR for 24 kV
applications.
The dead-end receptacle can
be supplied with an earth lead.
Order: -/G. E.g. K150DR/G.

150DP Dead-end plug

Plugs into connectors or receptacles to provide 'dead-end' facility.
Renders the assembly watertight.

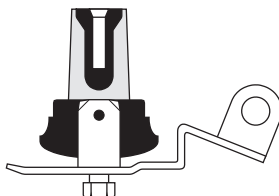


Ordering instructions

Order
150DP for 12 kV or
K150DP for 24 kV
applications.

151SOP Stand-off plug

Is designed to support and 'dead-end' connectors with a type A interface when removed from equipment.

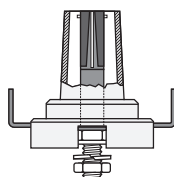


Ordering instructions

Order
151SOP for 12 kV or
K151SOP for 24 kV
applications.

250GP Earthing plug

Is designed to support and earth connectors with a type A interface when removed from equipment.



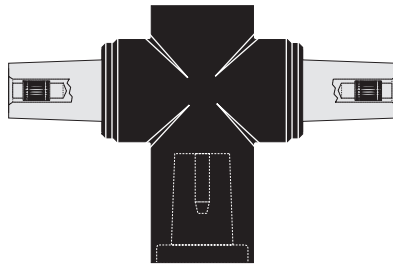
Ordering instructions

Order
250GP for 12 kV or 24 kV
applications.

200T Separable tee connector

Is designed to connect three cables of the same or varying sizes or two cables to equipment.

For an adapted bail, please refer to the catalogue or contact our representative.



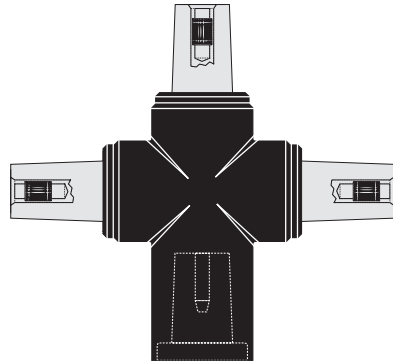
Ordering instructions

Order
200T for 12 kV or
K200T for 24 kV
applications.

200X Separable cross connector

Is designed to connect four cables of the same or varying sizes or three cables to equipment.

For an adapted bail, please refer to the catalogue or contact our representative.

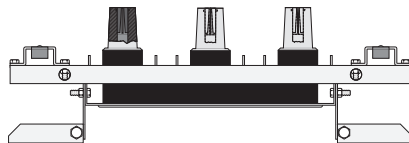


Ordering instructions

Order
200X for 12 kV or
K200X for 24 kV
applications.

1501J3-U-8 Three-way junction

Provides a flexible means of connecting two or three cables of the same or varying sizes. For an adapted bail, please refer to the catalogue or contact our representative.

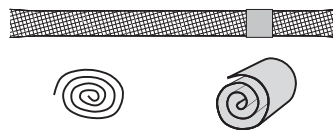


Ordering instructions

Order
1501J3-U-8 for 12 kV or
K1501J3-U-8 for 24 kV
applications.

Kit MT Earthing kit for copper tape screened cables

Contains a tinned copper braid (25 mm² - L=500 mm), a tinned copper wire for cleating and water sealing mastic.



Ordering instructions

Order
Kit MT for 12 kV or 24 kV
applications.

BAIL RESTRAINTS INTERFACE A

Application

For use with connectors, receptacles and bushings with an interface A as described by CENELEC EN 50180 and 50181.

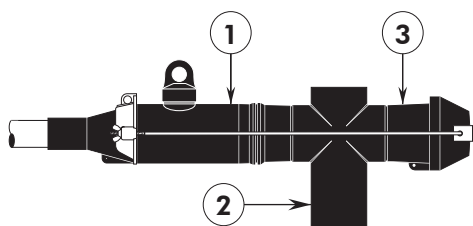
Ordering instructions

The type of bail restraint is defined by its intended use with different types of connector, receptacle and/or bushing. To order the bail restraint, specify the type needed.

147BA

For use with:

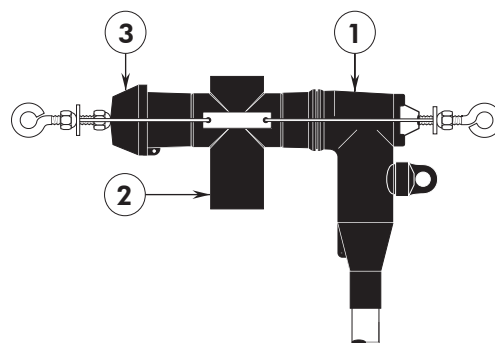
1. (K)152SR straight connector,
2. (K)200T tee connector and
3. (K)150DR dead-end receptacle.



149BA

For use with:

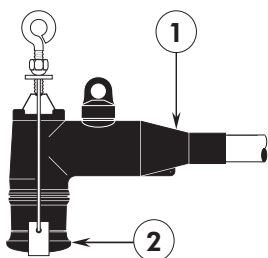
1. (K)158LR elbow connector,
2. (K)200T tee connector and
3. (K)150DR dead-end receptacle.



148BA

For use with:

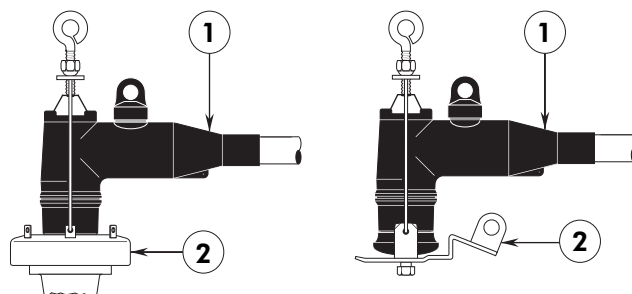
1. (K)158LR elbow connector and
2. (K)150DP dead-end plug.



150BA-B1

For use with:

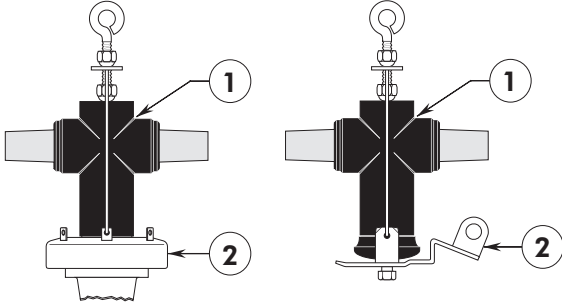
1. (K)158LR elbow connector and
2. an interface A equipment bushing (shown), 250GP earthing plug, (K)151SOP stand-off plug (shown) or (K)1501J3-U-8 three-way junction.



150TB-1

For use with:

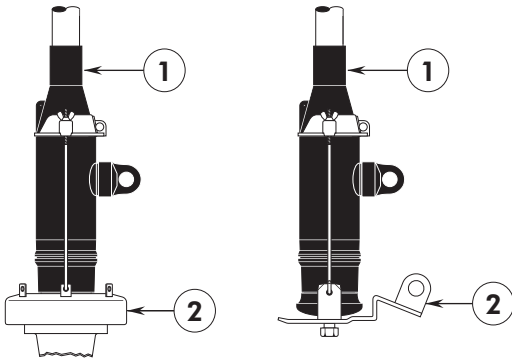
1. (K)200T tee connector and
2. an interface A equipment bushing (shown), 250GP earthing plug, (K)151SOP stand-off plug (shown) or (K)1501J3-U-8 three way junction.



151BA

For use with:

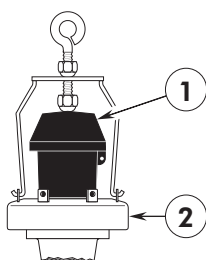
1. (K)152SR straight connector and
2. an interface A equipment bushing (shown), 250GP earthing plug, (K)151SOP stand-off plug (shown) or (K)1501J3-U-8 three-way junction.



152BA

For use with:

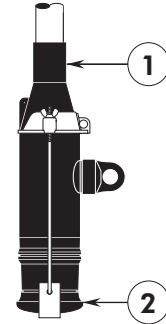
1. (K)150DR dead-end receptacle and
2. an interface A equipment bushing (shown) or (K)1501J3-U-8 three-way junction.



153BA

For use with:

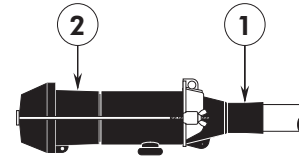
1. (K)152SR straight connector and
2. (K)150DP dead-end plug.



154BA-CS180

For use with:

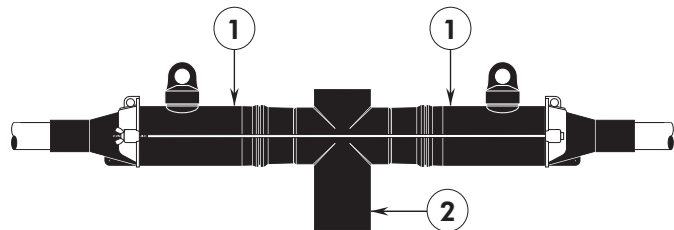
1. (K)151SP straight plug and
2. (K)150DR dead-end receptacle.



155BA-1

For use with:

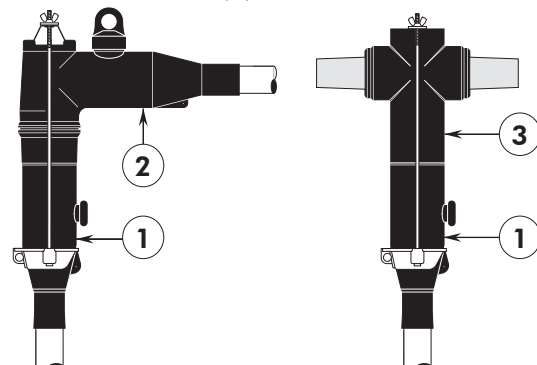
1. 2 x (K)152SR straight connector and
2. (K)200T tee connector.



155BA-2 - CS180

For use with:

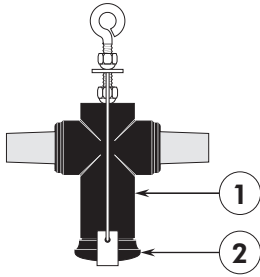
1. (K)151SP straight plug and
2. (K)158LR elbow connector or
3. (K)200T tee connector.



156BA-1

For use with:

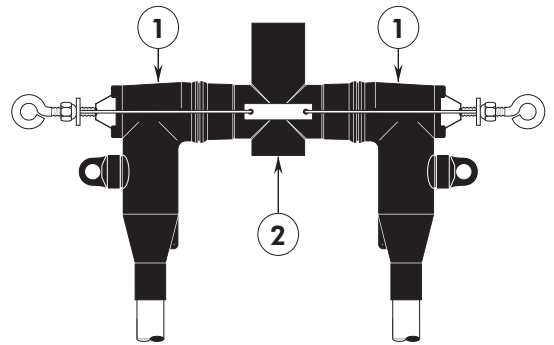
1. (K)200T tee connector and
2. (K)150DP dead-end plug.



159BA

For use with:

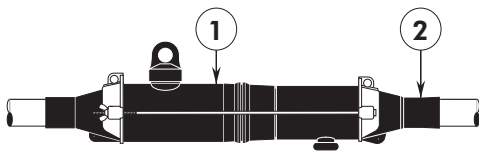
1. 2 x (K)158LR elbow connector and
2. (K)200T tee connector.



157BA - CS181

For use with:

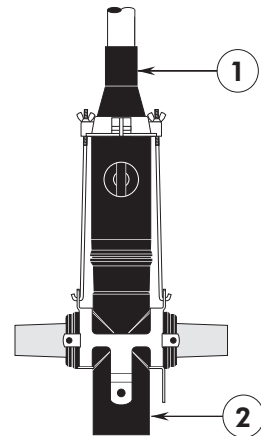
1. (K)152SR straight connector and
2. (K)151SP straight plug.



200BA

For use with:

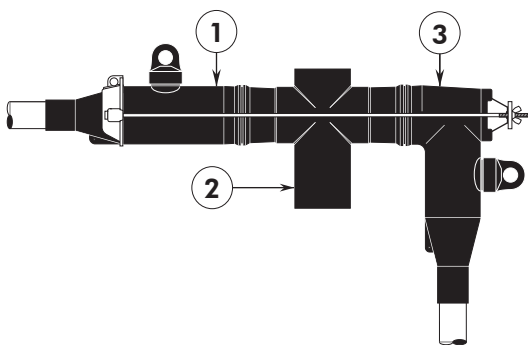
1. (K)152SR straight connector and
2. (K)200X cross connector.



158BA

For use with:

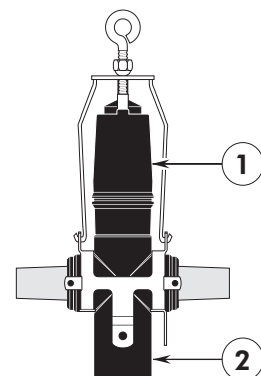
1. (K)152SR straight connector,
2. (K)200T tee connector and
3. (K)158LR elbow connector.



201BA

For use with:

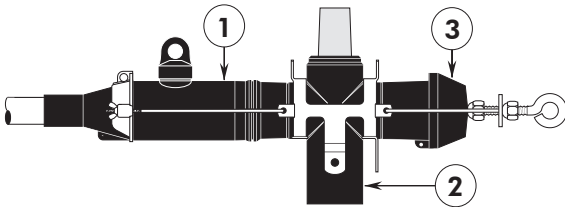
1. (K)158LR elbow connector and
2. (K)200X cross connector.



202BA

For use with:

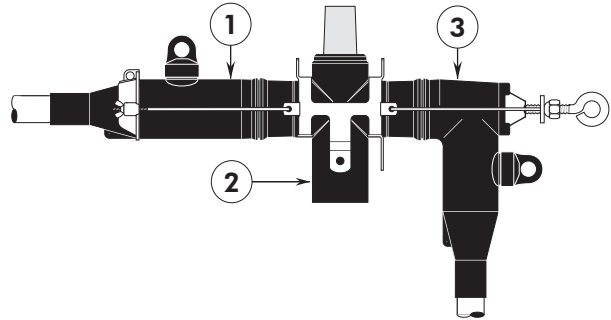
1. (K)152SR straight connector,
2. (K)200X cross connector and
3. (K)150DR dead-end receptacle.



206BA

For use with:

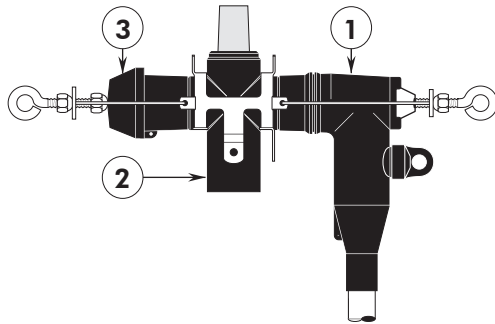
1. (K)152SR straight connector,
2. (K)200X cross connector and
3. (K)158LR elbow connector.



203BA

For use with:

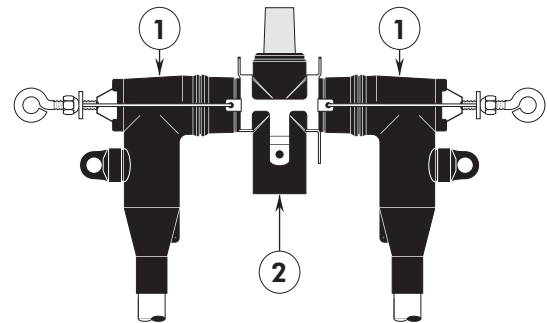
1. (K)158LR elbow connector,
2. (K)200X cross connector and
3. (K)150DR dead-end receptacle.



207BA

For use with:

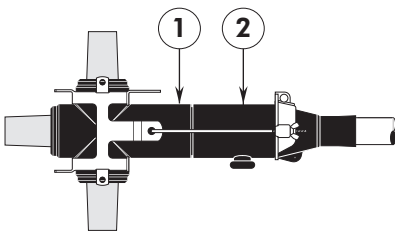
1. 2 x (K)158LR elbow connector and
2. (K)200X cross connector.



204BA

For use with:

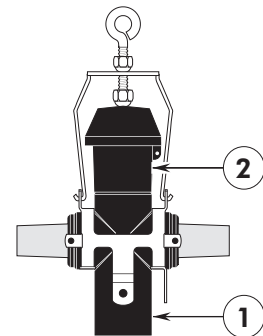
1. (K)200X cross connector and
2. (K)151SP straight plug.



208BA

For use with:

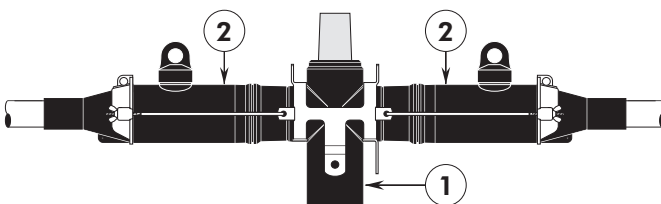
1. (K)200X cross connector and
2. (K)150DR dead-end receptacle.



205BA

For use with:

1. (K)200X cross connector and
2. 2 x (K)152SR straight connector.



Additional catalogue information on power cable accessories
is available by contacting us at the address below:

┌ Distributed by:



Euromold
a Nexans company

Nexans Network Solutions N.V. - Div. Euromold • Zuid III, Industrielaan 12, B-9320 Erembodegem
Tel.: +32 (0)53 85 02 11 • Fax: +32 (0)53 83 10 13 • www.euromold.be • sales.euromold@nexans.com

Catalogue also available on CD-ROM